



स्वामी श्रद्धानन्द  
कुलपिता

A MONTHLY NEWS LETTER



नभग  
Flight to Success  
NABHAG

FACULTY OF ENGINEERING AND TECHNOLOGY  
GURUKULA KANGRI VISHWAVIDYALAYA, HARIDWAR

Volume 1(5-6)

November- December 2010

**PATRON**

Prof. Swatantra Kumar

Vice Chancellor

**ADVISORY BOARD**

Prof. Mahavir

Acharya & Pro. Vice Chancellor

Prof. A.K. Chopra

Registrar

Prof. Virendra Arora

Ex-Principal, College of Science

Mr. Rajendra Misra

Finance Officer

**EDITORIAL BOARD**

Prof. R. D. Kaushik

Dean, F.E.T.

Chief Editor

Dr. Sunil Panwar

Managing Editor

Dr. Vivek Goel

Vipul Sharma

Mayank Agarwal

Suyash Bhardwaj

**Abhinav S. Panwar**, ECE V Sem

**Abhay Pratap**, ECE III Sem

**Agam Agarwal**, ECE III Sem

**Kuldeep S. Rathore**, CSE V Sem

**Piyush Prakash**, ECE V Sem

**Prerak Khandelwal** CSE V Sem

**Raghvendra Dixit**, ECE V Sem

**Ran Vijay Singh**, ECE III Sem

**Ravish Arora**, CSE V Sem

**Udit Roy**, CSE VII Sem

**IN THIS ISSUE**

Messages to editor

Recent Placements

Incentives for Meritorious students

Faculty News

From Vedas and Archives

FET at Sports

Tips and Tricks : Google

Students Corner

*Editorial*

Teaching faculty members took extra classes so as to finish the syllabi within time and as a result, the odd semester examinations were organised during Dec. 8 - 31, 2010. The Balidan Divas of Late Kulapita Swami Shradhanand ji was celebrated and a procession was organised in the Holy City of Haridwar. FET participation was praised by Honourable Vice-Chancellor Prof. Swatantra Kumar. VISH DAINE WALON KE BHI BANDHAN KATANE WALE, MUNIYON KA JANMDATA, KUL HO SADA HAMARA.....

FET students kept on successfully competing the campus drives for placements. New incentives were approved by the University administration for encouraging the FETians.

As 2010 is concluding, FET is preparing itself for new challenges with new hopes and ideas in the new year 2011. I hope the FETians shall celebrate the new year in true Gurukul traditions. Each one has to take some Sankalpas for betterment of our faculty. A student is a mixture of personalities of his teachers. I request all FET teaching faculty members to keep this in mind.

I wish everybody a happy, prosperous and peaceful new year 2011.

**Prof. R. D. Kaushik**  
Chief Editor & Dean, FET

*Message*

यह जानकर अपार प्रसन्नता का अनुभव हुआ कि आप 'नभग' नामक पत्रक का शुभारम्भ कर रहे हैं, जिसका विमोचन दिनांक 20.10.2010 को हुआ। पत्रक किसी भी समाज का प्रतिबिम्ब होता है, जिसके माध्यम से उस समाज का ज्ञान सदियों तक अध्येता के समक्ष समुपस्थित रहता है। गुरुकुल कोंगड़ी विश्वविद्यालय के प्रथम कुलपति एवं कुलपिता स्वामी श्रद्धानन्द जी महाराज ने जिन अधूरे स्वप्नों की चर्चा की है और जिन स्वप्नों को साकार करने के लिए उन्होंने लाहौर से 1989 में **सद्धर्म प्रचारक** नामक पत्रक निकाला था, उसी श्रृंखला में आपका यह 'नभग' पत्रक उनके अधूरे स्वप्नों को साकार करने की दिशा में एक पाद है। आपके कन्धों पर इस समय में उस कुलपिता के द्वारा आरोपित महावृक्ष का एक विशाल स्कन्ध स्थापित है जो संसार में ज्ञान और विज्ञान की शाखाओं का सत्याधार बनकर अपने पुष्पों एवं फलों से विश्व-कल्याण करेगा। आप में जहाँ धैर्य, साहस, वाक्पटुता, परोपकारप्रियता, स्नेहशीलता, औत्साह तथा तत्कालनिर्णायक क्षमता की अनुपम देन परमेश्वर के द्वारा प्रदत्त हैं, वहीं उस ईशों के ईश भगवान् रजनीश से प्रार्थना है कि आपको दीर्घ आयु, स्वास्थ्य तथा यश में प्रतिष्ठा प्रदान करें, जिससे इस संस्था का नाम उन्नत होता रहे।

अन्त में पुनः पुनः आपको 'नभग' के प्रकाशनार्थ शुभकामनाएं तथा बधाइयाँ दे रहा हूँ, कृपया स्वीकार करने की कृपा करें।

(डॉ० सत्यदेव निगमालंकार)

*Recent Placements*



Selected Students With Dean, FET

On 18-11-2010 campus drive of Birla Soft was conducted at BIAS, Bhimtal. Four colleges participated in the drive namely Faculty of Engineering and Technology, G.K.V. Haridwar, BIAS-Bhimtal, GBPEC-Pauri and KEC-Dwarahat. Our students performed extremely well with highest percentage of total students clearing



Selected Students with Placement officer

the written test followed by G.D. and interview. After the stringent process of three days, five of our students Vishal Gupta(CSE), Vinay Tyagi(CSE), Rachit(CSE), Saket Khandelwal(CSE) and Shishir Kumar (ECE) were selected. Congratulations!!



## Incentives Announced for Meritorious students of FET

To encourage the meritorious students of Faculty of engineering and Technology, following incentives have been approved recently.

1. To start with, the first rank holders (having no repeat in any paper) in a semester examination of each branch of B.Tech (a total of 16 such students), shall be awarded in the next semester in the following ways:
  - a) A KULPITA GREEN CARD bearing University logo and picture of Kulpita Swami Shraddhanand ji, shall be given to them.
  - b) Dean FET will be the local guardian of these students, in that way, they will be the GARBHASTH CHHATRA of the Dean, FET in accordance to tradition of Gurukul system of education .
  - c) They will be invited to have High Tea with Honourable Vice Chancellor, in the company of the Pro-Vice Chancellor, Registrar, Finance Officer of Gurukul Kangri Vishwavidhyalya, Dean FET and Incharge of various departments of FET.
  - d) They will be entitled for 03 books to be issued in addition to general quota. Further, they will be allowed to deposit or get the books issued on any working day.
  - e) They will be allowed to surf internet without restriction of time on working days.
  - f) They will be entitled to get 100 pages photocopied free of cost.
  - g) Their photographs shall be displayed on cover page of upcoming issue of the monthly news Letter of FET-NABHAG.
  - h) A certificate indicating their rank in a given semester shall be issued by Dean, FET.
  - i) The Topper of FET in a semester (i.e. a student securing maximum marks amongst the above mentioned 16 students) shall be given books costing about rs 500/- as a token of appreciation.
2. An appreciation plaque shall be presented to the final result topper of each branch (i.e. a total of 04 students who secure maximum marks and have no repeat papers in complete term of four years in each branch of engineering ). This plaque shall be presented by honourable Vice- Chancellor of Gurukul Kangri Vishawavidhyalaya at a function to be orgnaised by FET.

### New Teaching Faculty Members

#### Mr. Nitin Johri

Assistant Professor in M.E.

**B.Tech.** : IET, MJP Rohilkhand University, Bareilly, 2001

**M.E.** : LIMAT, MDU Rohtak, 2008

**Research Area:** Design- Parallel Mechanisms, Fracture Mechanics



#### Mr. Pankaj Kumar Pal

Assistant Professor in E.C.E

**B.Tech.** : Faculty of Engineering & Tech. Gurukul Kangri University, 2008

**M.Tech.** : National Institute of Technology, Hamirpur, 2010

**Area Of Interest:** Noval MOS based device design & Low power VLSI



#### Mr. Gajendra Singh Rawat

Assistant Professor in E.E

**B.Tech.** : Faculty of Engineering & Tech. Gurukul Kangri University, 2007

**M.Tech.** : Punjab Engineering College, Chandigarh, 2009

**Research area :** Control Systems

#### Take Time

Take time to work. It is the key to achievement.  
 Take time to meditate. It is the price of power.  
 Take time to play. It is the secret of eternal youth.  
 Take time to read. It is the way to wisdom.  
 Take time to be friendly. It is the road to happiness.  
 Take time to laugh. It is the music of soul.  
 Most importantly take time to love and to be loved.

**Dr. Mahendra Aswal**

In-charge, Computer Center



### Trip to Dehradun

A camp was organized for the students staying in the faculty hostel during Deepawali holidays. Missing the family members during Deepawali holidays is common feature and this tour helped students in avoiding it and getting rejuvenated. Dr. Dharmendra Baliyan coordinated the tour. 51 students enjoyed the trip. Pushpranjan(I sem CSE) and Amit(I sem CSE) were leaders of the group. The students visited Buddha temple in Dehradun and got swimming practice in Lachchiwala. Special meals were served during Deepawali days at FET Hostel. This trip was sponsored by FET and students had to pay nothing for it.



### Test Your Vocabulary

- |                 |               |
|-----------------|---------------|
| 1) Commensurate | 2) Avert      |
| 3) Bestow       | 4) Genocide   |
| 5) Conundrum    | 6) Savo       |
| 7) Dolorous     | 8) Autonomous |
| 9) Lexicon      | 10) Flatter   |

- |                               |                               |
|-------------------------------|-------------------------------|
| 1) Equal in measure or extent | 9) A vocabulary or dictionary |
| 2) To prevent                 | 7) Great sorrow               |
| 3) To give or confer          | 5) a puzzle or problem        |
| 4) Racial killing             | 6) enjoy the taste of         |
| 5) To prevent                 | 8) Independent                |
| 6) enjoy the taste of         | 10) Compliment insincerely    |

**ANSWERS:**

**Abhinav S. Panwar**



## FACULTY NEWS

- Various Incentives were proposed to encourage the meritorious students of FET.
- Prof. R. D. Kaushik delivered a lecture series at refresher course for University and College teachers held at Kumaun University, Nainital. the topics covered were: Linear Free Energy Relationships, Treatment of data, Sensitivity, Detection Limits, Signals, Noise and basics of fourier Transformation techniques.
- Prof. R. D. Kaushik delivered two lectures in "Inspire" Program of DST at HNB, Garhwal University, Srinagar.
- Prof. Kaushik published 09 research papers in 2010, in SCI indexed referred journals
- Dr. M.S. Aswal, incharge computer center, has been elected as president of Bharat Vikas Parishad(National NGO), Panchpuri Branch, Haridwar. He coordinated a tree plantation program at GKV campus in association with Arya Samaj, Gurukul Kangri.
- Dr. M.S. Aswal organized a quiz competition named "BHARAT JANO", under the auspice of Bharat Vikas Parishad on 24, Nov. 2010 at D. A. V. Centenary Public School, in which students of 6 schools participated. In this competition students of Gurukul Kangri Vidhayalaya secured second and third positions in senior and junior categories respectively.
- Mr. Tanuj Garg, attended an orientation course at Kurukshetra University, Kurukshetra.
- Semester examinations conducted successfully in FET.
- Public Service Commission, Uttarakhand, is going to conduct their computer based typing test exam in FET once again, in the month of January, 2011.
- FET actively participated in the shobha yatra on the 84th Balidan Divas of the founder Kulpita, Swami Shraddhanand ji on Dec. 23<sup>rd</sup>, 2010. Honorable Vice-Chancellor admired the theme of various jhankis shown by different departments including NCC and NSS of FET.
- Dr. Vishwa Pal Jayant (Aadhunik Bhim) visited FET on Dec. 22, 2010.
- Mr. Mayank Aggarwal, presented a paper entitled "Protecting Dynamic Mobile Agents- Against Denial of Service Attack", at International Conference organized by IETAN, on Dec. 25-26, 2010 Proceedings of conference were published by American Institute of Physics, New York, U.S.A.



Exams in FET

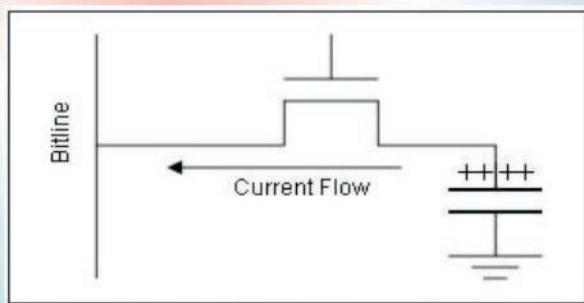


Aadhunik Bheem with Faculty members

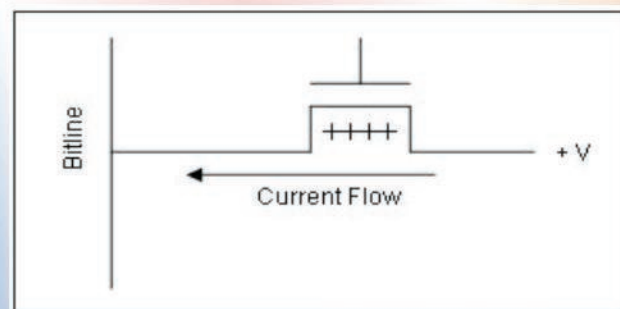
## Zero Capacitor RAM

Innovative Silicon with Hynix Semiconductor, has introduced a low cost, low power replacement for the common computer memory, dynamic RAM, or DRAM. They named the product as zero capacitor or Z-RAM. DRAM stores a bit of memory – a 1 or a 0- as charge on capacitor. Reducing the size of circuit on silicon wafer has always been a topic of research in VLSI. But the capacitor in a memory circuit can't be shrunk as fast as transistors. The reason is, a capacitor must be big enough to hold a recognizable charge. In Z-RAM, floating body effect takes place. A single transistor itself performs both the functions i.e. charge storage function of capacitor and access function of transistor.

In Z-RAM, transistor is built on silicon wafer deposited on silicon dioxide- an insulator. This, we call silicon on insulator (SOI) technology. When current flows through transistor, some electrons create electron-hole pairs. The transistor drain lets the extra electrons leave but traps the holes, resulting in accumulation of



net positive charge. This 'floating' positive charge can be read as a 1. Increasing gate voltage of transistor empties the holes out through the source electrode. This can be read as a 0.



Further, instead of building gate on the top on insulator with drain and source on the ends, in Z-RAM transistor is aligned vertically so that gates are on either side and junctions are on top and bottom. This resulted in reduction of size plus the operating voltage becomes as low as 0.5 V. Ref: IEEE Spectrum, July 2010, pp 14; [www.innovativesilicon.com](http://www.innovativesilicon.com).

Vipul Sharma

In-charge Dept. of Electronics & Communication



## From Vedas

### सत्य और विद्या से स्थायी सुख



Dr. Satyadev Nigmalankar  
Head, Vedic Shodh Sansthan

मा भेर्या संविक्थाऽऽतमेरुर्यज्ञोऽतमेरुर्यजमानस्य प्रजा भूयात् त्रिताय त्वा द्विताय त्वैकताय त्वा॥ यजु० १/२३॥  
किसी भी मनुष्य को सत्य के आचरण करने से डरना और विद्या के ग्रहण करने से विचलित अथवा चलायमान कभी भी नहीं होना चाहिये, क्योंकि मनुष्यों को इन अच्छे-अच्छे कार्यों से ही उत्तम-उत्तम सन्तान, शरीर, वाणी और मन के स्थायी सुख प्राप्त होते हैं।

## From Archives



सन् 1915 में हरद्वार कुम्भ का मेला था। उसमें जाने की मेरी कोई खास इच्छा नहीं थी। लेकिन मुझे महात्मा मुंशीराम जी (स्वामी श्रद्धानन्द जी का पूर्व नाम) के दर्शनों के लिए जरूर जाना था। कुम्भ के अवसर पर गोखले के भारत सेवक-समाज ने एक बड़ी टुकड़ी भेजी थी। उसका प्रबंध श्री हृदयनाथ कुंजरू के जिम्मे था। स्व० डॉ० देव भी उसमें थे। उनका यह प्रस्ताव था कि इस काम में मदद करने के लिए मैं अपनी टुकड़ी भी ले जाऊँ। शांतिनिकेतनवाली टुकड़ी को लेकर मगनलाल गांधी मुझसे पहले हरद्वार पहुँच गये थे। रंगून से लौटकर मैं भी उनसे जा मिला.....



(सत्य के प्रयोग – महात्मा गांधी की आत्मकथा)

*My experiments with truth- Autobiography of "Mahatma Gandhi"*

## The Role of Physics in Engineering and Technology

There is no branch of Engineering or Technology in which one or the other physical principle is not applied by the Physicist. He discovers scientific principles and invents devices to describe & explain them. The technician applies and magnifies these devices for human convenience and comfort. Instances without number can be given of applications of simple physical principles, demonstrated and developed in the beginning on a laboratory scale to large-scale engineering in a variety of branches of modern civilization.

Much of the physics that describes everyday phenomenon is what we call "classical" physics, the basics of which have been known for over a hundred years. It enables us to design everything from roads, dams, bridges, milling machines, airplanes and automobiles, to clocks, baseball bats, space ships, and sewing machines. Newton's mechanics and his theory of gravity were developed in the 17th century and are still used to design satellites and send spacecraft to Mars. What is perhaps surprising is the extent to which the revolutionary and unexpected physics discoveries of the twentieth century, namely quantum physics, relativity and nuclear and particle physics, are also all around us. Classical mechanics is essential to civil, mechanical, and aeronautical engineering and, together with the physics of fluids and sound transmission, it underlies geology and gives an understanding of earthquakes and other processes that shape the earth.

When Michael Faraday, one of the discoverers of electricity and magnetism, was asked by the prime minister "But what is the use of it?" he is said to have answered "Sir, some day you may come to put a tax on it." And indeed, electricity is universal - and taxed - in our society. Electrical engineers use the physics of electromagnetism to build electric power plants and transmission lines, while electric motors and batteries power everything from medical implants to Game Boys. Radio waves and radar have revolutionized communications, making television sets and cell phones possible, but they also power the microwave oven. They have revolutionized astronomy, allowing us to detect radio waves from very distant, but very violent galaxies, and indeed from the Big Bang itself.

Thermodynamics - the way in which heat and energy are stored and transferred - was also developed in the 19th century, and yet its principles remain essential to such diverse areas as refrigeration, chemical engineering, internal combustion engines, and earth science. Driving a hybrid-powered automobile is in fact a daily lesson in energy transfer and storage. Heat transfer is what drives the weather, and understanding the heat balance of the Earth is critical to knowing what should be done about global warming.

The extremely broad range and depth of physics make it both important and fascinating. Physics continues to explore its own very fundamental questions, such as the unification of the forces of nature, the behavior of nano-particles, the dynamics of chemical reactions. At the same time, it provides the foundations for much of modern science and engineering, and explains why almost all the things we take for granted in our everyday lives work. Truly, physics is everywhere.

Though specialization in one branch of science or technology has become the order of the day in view of the vast developments in each branch, a knowledge of the fundamentals of Physics and its varied applications is essential for a technocrat for proper understanding of the specialized role he is playing in the complicated scientific and industrial advances of the modern age.



# FET AT SPORTS

## CRICKET

University organized Inter-Faculty cricket championship. B.Tech cricket team defeated B.Pharm. team by 77 runs in the final match held at Dayanand stadium on tuesday, Nov. 23, 2010. In final match B.Tech team won the toss & made 121 runs for 9 wickets. Pradeep Rawat contributed 31 runs & Nipun made 25 runs. B.Pharm. team had a target of achieving 122 runs but they could not stay on the pitch for long and were all out at only 43 runs. Pradeep & Priyank were the most successful bowlers getting 4 & 3 wickets respectively.

Prof. A.K. Indrayan gave trophy to winning team. On the basis of performance of players, a cricket team of 16 members was selected for Inter-University Cricket Championship. Dr. Devendra Gupta, Dr. Sudhir Arya, Dr. Ajay Malik, Mr. Sunil Kumar & Dr. Shiv Kumar Chauhan, were present on this occasion.



Cricket Tournament Winner Team



Winner team with Dean, FET

## SQUASH

FET students participated in Intra-University championship.



Squash Team

## STUDENT'S CORNER

### "My Journey"

My Journey began at lane no - 9  
Covered I was there, really very fine  
Living in an area meager than a palm  
My surrounding was really very calm

Then I had to travel 0 to 1  
Which seemed to my really odd one?  
I cried and cried, leaving everything apart  
Till I was levitated, with a warm heart

Now I had to travel 1 to 10  
From the laps to burden  
Covered I was with a garland of care  
Kneeted by a god called family, to whom I  
was very dear

Then I stepped at 10 to 20  
Crossing the rivers of 16 and 18, which  
were really fancy?  
In and out of emotions in every CON  
And my beloved said "YOUR JOURNEY  
IS STILL NOW"!

Now I had to travel 20 to 30  
Meeting a partner at 26, and gaining  
ability  
Learning the skills to follow Passion  
I led my life to its destination

Then I came across 30 to 40  
Rubber Roads, luxury cars, life was really  
royal

But being a driver I headed on, No time  
look back  
And I remembered my early roads when "I  
WAS A LAD"

Then I had to travel 40 to 50  
And driving is still ON  
Leading dear passengers to their destined  
way  
And in search of peace my heart is away

When I was travelling 50 to 60  
I was replaced by my loving passenger  
Who headed the team very fine?  
And I realized "My life is really Devine"

Then I entered 60 to 70  
Conditions for me were really ante  
I came out of the car barefooted  
And at 70's my breath were uprooted

I started my JOURNEY to a majestic  
world  
Left the road and the passenger cried  
Seeing my ash people said "He is gone"  
But I know "THE JOURNEY IS STILL ON"

Nitesh Kumar Pandit  
B.Tech. V Sem (CSE)

### Beyond the Veil

Lift the veil from the one you know  
And meet the stranger below

Lift the veil from the helping hand  
And hear the selfish motives behind

Lift the veil from the innocent eyes  
And meet those gleaming in disguise

Lift the veil from those you trust  
And meet the traitors beneath the crust

Lift the veil from the friend beside  
And meet the enemy in whom you  
confide

Lift the veil from the smiling crowd  
And see the evil grins they shroud

Lift the veil from the morning glow  
Beneath which the darkest hour flow

Lift the veil from the dying sun  
And feel the hope in the night just  
begin

Sanjeev Kumar Lambha  
Dept. of Mechanical Engineering



# Letter writing

## A business letter

Here is an example of a typical business letter, showing how you arrange the different parts on the page.

This is the **letterhead**. It can go on the left, right or in the centre. In the US it is often on the left.

This is the name and address of the person you are sending the letter to.

This is the date.

This is the **salutation**.

You do not need to put a comma here. In US letters you should use a colon after the name of the person.

This is the **subject heading**, a summary of the contents of the letter. It helps the reader to understand quickly what the letter is about.

There is no space here at the beginning of a new paragraph. In US letters you should indent the first line of each new paragraph.

You do not need to put commas after **Dear Sir or Madam** or **Yours faithfully**. But if you choose to put a comma after **Dear Sir or Madam**, you should put one after **Yours faithfully** as well. US letters usually use commas.

**Manesty Clothes Ltd**  
15 Clifton Court  
Manchester M13 5PY  
England, UK  
Tel: +44 (0)161 932 2628  
Fax: +44 (0)161 932 2884  
Email: enquiries@manesty.co.uk

Production Manager  
Suntek Fabrics  
Box 167  
Brown Street PO  
Singapore

2nd January 2008

Dear Sir or Madam

Re: Visit to Singapore

I am now planning my next trip to Southeast Asia, and would be very pleased if we could meet to discuss our production requirements for next year.

I hope to be in Singapore on May 3 or 4. Would it be convenient to visit you on May 3 at 10.30am? I would be grateful if you could tell me exactly where your offices are located.

I look forward to hearing from you.

Yours faithfully

*Christine Burrows*  
C. Burrows  
Senior Buyer



## How different Companies are named??

**Mercedes** : This was actually financier's daughter's name.

**Adobe** : This came from the name of the river Adobe Creek that ran behind the house of founder John Warnock.

**Apple Computers** : It was the favourite fruit of founder Steve Jobs. He was three months late for filing a name for the business, and he threatened to call his company Apple Computers if the other colleagues didn't suggest a better name by 5 o'clock.

**CISCO** : It is not an acronym as popularly believed, Its short for San Francisco.

**Compaq** : This name was formed by using COMP, for computer and PAQ to denote a small integral object.

**Corel** : The name was derived from the founder's name Dr. Michael Cowpland. It stands for COWpland REsearch Laboratory.

**Google** : The name started as a joke boasting about the amount of information the search-engine would be able to search. It was originally named 'Googol', a word for the number represented by 1 followed by 100 zeros. After founders - Stanford graduate Sergey Brin and Larry Page presented their project to an angel investor; they received a cheque made out to 'Google'.

**Hewlett Packard** : Bill Hewlett and Dave Packard tossed a coin to decide whether the company they founded would be called Hewlett-Packard or Packard-Hewlett. Dave won the toss but the name remained Hewlett-Packard.

**Intel** : Bob Noyce and Gordon Moore wanted to name their new company 'Moore Noyce' but that was already trademarked by a hotel chain so they had to settle for an acronym of INTEgrated ELectronics.

**Lotus (Notes)** : Mitch Kapor got the name for his company from 'The Lotus Position' or 'Padmasana' . Kapor used to be a teacher of transcendental Meditation of Maharishi Mahesh Yogi.

**LG** : Combination of two popular Korean brands Lucky and Goldstar.

**Microsoft** : Coined by Bill Gates to represent the company that was devoted to MICROcomputer SOFTware. Originally christened Micro-Soft, the '-' was removed later.

**Motorola** : Founder Paul Galvin came up with this name when his company started manufacturing radios for cars. The popular radio company at the time was called Victrola.

**Sony** : It originated from the Latin word 'sonus' meaning sound, and 'sonny' as lang used by Americans to refer to a bright youngster.

**SUN Micro Systems** : Founded by 4 Stanford University buddies, SUN is the acronym for Stanford University Network. Andreas Bechtolsheim built a microcomputer; Vinod Khosla recruited him and Scott McNealy to manufacture computers based on it, and Bill Joy to develop a UNIX-based OS for the computer.

**Mozilla** : When Marc Andreessen, founder of Netscape, created a browser to replace Mosaic (also developed by him), it was named Mozilla (Mosaic-Killer, Godzilla) .The marketing guys didn't like the name however and it was christened Netscape Navigator.

**Red Hat** : Company founder Marc Ewing was given the Cornell lacrosse team cap (with red and white stripes) while at college by his grandfather. He lost it and had to search for it desperately. The manual of the beta version of Red Hat Linux had an appeal to readers to return his Red Hat if found by anyone!

**Xerox** : The inventor, Chester Carlson, named his product trying to say 'dry' (as it was dry copying, markedly different from the then prevailing wet copying). The Greek root 'xer' means dry.

**Yahoo!** : The word was invented by Jonathan Swift and used in his book 'Gulliver's Travels' . It represents a person who is repulsive in appearance and action and is barely human. Yahoo! founders Jerry Yang and David Filo selected the name because they considered themselves yahoos

## Tips and Tricks : GOOGLEing the WEB

- |  |   |                           |
|--|---|---------------------------|
| 1. Search different file formats         | (keyword file type : doc)                           | (Google: pdf)             |
| 2. Search educational resources          | (keyword site:.edu)                                 | (computer:.edu)           |
| 3. Finding the time of any location      | (time: keyword location )                           | (time : Romania)          |
| 4. Finding the weather of any location   | (location : weather)                                | (Boston : weather)        |
| 5. Get Local Weather                     | "weather [city name or zip code]"                   | "weather 500054"          |
| 6. Google dictionary.                    | define:<word>                                       | define:<pixel>            |
| 7. Hidden search parameter.              | Looking only headings                               | intitle : herbs           |
| 8. Check Flight Status                   | [flight name and/or number]                         | "bc254" or "newyork21"    |
| 9. Tracking commentary of live events    | (Event : live)                                      | (Asian games: live)       |
| 10. Convert Distances                    | "[value] [first unit] to [second unit]"             | "100 kilometers to miles" |
| 11. Find a Person:                       | "[person's name], [city or zip code]"               | "john smith, london"      |
| 12. Using Google as calculator           |   | (9 * 10)(143+234)(119-8)  |
| 13. Converting currencies                | [value][first currency][second currency]            | (10 USD to INR)           |
| 14. How many seconds there are in a year |   | (seconds in a year)       |
| 15. Find a Business/store                | "[business name or type], [city or zip code]"       | "book store, los angels"  |
| 16. Tracking stocks                      |   | (stocks: MSFT)            |
| 17. Movie Timings                        | "movie title" "your zip code"                       | "Inception" "Miami"       |
| 18. Fill in a blank.                     | Christopher Columbus discovered *                   |                           |
| 19. Convert temperature                  | type: 98 f to c to convert Fahrenheit to Centigrade |                           |
- In the last, to go to the first page Google searches for you just click "I'm Feeling Lucky", and you will be sure to find yourself lucky enough.



# Balidan Divas Celebrations (Dec. 23, 2010)



## A Trip to Dehradun & Lachchiwala

